

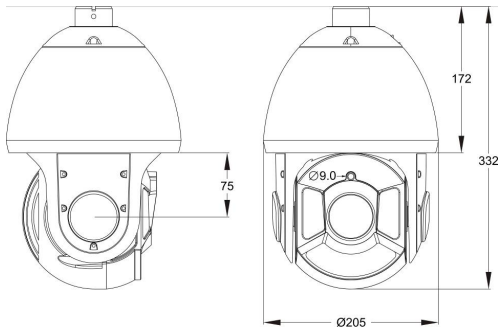
# BSUPVM100/1.3IP/SPD20X 720P Network IR High Speed Dome



## Key features

- 1/3" Progressive Scan CMOS
- 20X Optical Zoom, 12X Digital Zoom
- HD 720P
- Multiple Streams
- IR Range 100m
- Smart IR
- Low bitrate ,Good low light performance
- 3D DNR,dWDR,ICR

## Dimension



## Accessories



SN-BK606B



SN-BK607B

## Specifications

CAMERA	
Image Sensor	1/3" Progressive Scan CMOS
Min. illumination	Color 0.01Lux; B&W 0.001Lux; IR ON 0 Lux
Day & Night	ICR
Shutter Speed	1/10000-1/50s
Auto Iris	Auto/Manual
Wide Dynamic Range	Yes
Digital Noise Reduction	2D/3D
Lens	Sunell 20X Module , 4.1-82mm
Digital Zoom	12X
FOV	58.7° -3.2°
IR LED	8 pcs
IR Range	100m
Pan/Tilt	Pan 0-360° ,Tilt -10-90°
Pan/Tilt Speed	Pan 0.01-180° /s ,Tilt 0.01-90° /s ,Preset Speed 90° /s
Preset/Tour/Scan/Track	255/12/12/6
IMAGE	
Video Compression	H.264 High/Main/Baseline Profile, MJPEG
Bit Rate (CBR/VBR)	100kb-6000kb
Audio Compression	G.711 ,RAW_PCM
Max.Resolution	1280x720/30fps
Stream	Stream1 1280x720 Stream 2 D1 to QVGA
Image Setting	Rotate Mode,Saturation,Brightness,Contrast,Sharpness
HLC	Yes
ROI	Yes
Defog	Yes
NETWORK	
Network Protocols:	HTTP,HTTPS, TCP/IP, UDP/IP, RTSP, DHCP, NTP, PPPoE, Unicast and Multicast supported.
Alarm Trigger	Motion,Intrusion,LineCrossing,Tamper,Networkdisconnect,Diskalarm,I/O alarm
RTSP Video	Standard RFC2326, Support QuickTime / VLC Player.
Security	User security authentication, Reset, Hardware WatchDog
Web Language	English, Chinese,Polish,Italian,Portuguese,Spanish
System Compatibility	Onvif,CGI
INTERFACE	
Ethernet	11 Ethernet (10/100 Base-T) RJ-45 Connector
Audio I/O	1ch Audio In,1ch Audio Out
Alarm I/O	7ch Alarm In,2ch Alarm Out
RS485	N/A
BNC Output	N/A
Reset Button	YES(Built-In)
Edge Storage	Micro SD/SDHC/SDXC slot(Built-in),Max 64GB
GENERAL	
Power Supply	AC24V/2.5A
Power Consumption	MAX 30W
OperatingTemperature	-40° C ~+60° C
Operating Humidity	0% - 90% RH
Protection	IP66,TVS6000V
Approvals	CE / FCC
Product Dimensions	Φ205x332mm
Product Weight	4.3KG